



Roll Fin Stabilizer

Product Sheet

Fin Sizes

MODEL RS250 2.5 sq. feet
12V or 24V including Hydraulics
Part # 10.00250.0

MODEL RS350 3.5 sq. feet
12V or 24V including Hydraulics
Part # 10.00350.0

MODEL RS400 4.5 sq. feet
12V or 24V including Hydraulics
Part # 10.09012.0

Comfort At Your Fingertips:
WESMAR's versatile electronic
roll fin stabilizer systems
are built for boats from 30 feet.

MODEL RS600 6 sq. feet
12V or 24V including Hydraulics
Part # 10.09013.0

MODEL RS700 7.5 sq. feet
12V or 24V including Hydraulics
Part # 10.09700.0

MODEL RS900 9 sq. feet
12V or 24V including Hydraulics
Part # 10.09014.0 -



WESMAR Fins range in size from 2.5 sq. feet to 30 sq. feet. For sizes not shown, contact WESMAR



Operating Console

*With full sensitivity control
Engage/standby switch w/LED
Fin Position Indicators
Full Trim Control
On/Off Switch
Brightness control*

Electronic Gyro

Add to your comfort with the fastest gyro on the market today, sampling at a rate of 1000 times per second.



Hydraulic Pump

*6 gallons per minute
SAE-A 2 bolt*



Kelp Cutters

*Stainless Steel.
Two per system.
Prevents kelp and other debris from collecting on the stabilizer shaft between fin top and hull.*



Each System Includes one set of fins, electronics (12 or 24 V), and hydraulics:



10 Gallon Hydraulic Reservoir Tank With Centralized Components

Vertical or Horizontal Setup

Hydraulics Tank Design Leads the Industry.

Maintenance free actuators and designed for streamlined intallation, WESMAR's advanced design hydraulic tank incorporates hydraulic manifold, high-pressure filter, electronic J-box and cooler in one system. They are all mounted, plumbed and wired together. The use of centralized components greatly reduces installation time and potential for error.

Advantages of the WESMAR Electronic Gyro System Over a Hydraulic Gyro:

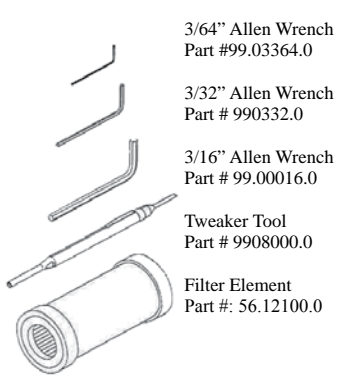
- Trim adjustment
- No hydraulic hoses to the gyro
- No moving parts
- No gyro maintenance or service
- Fin Movements & LED
- Sensitivity adjustment
- On/Off switch
- Splashproof
- 12-24 VDC operation
- No grease fittings

PRICES SUBJECT TO CHANGE
WITHOUT NOTICE
F.O.B. WOODINVILLE, WA USA

WESMAR Western Marine Electronics
Telephone: (425) 481-2296 - 1-800-772-7620 - Fax: (425) 486-0909
E-mail: bsentz@wesmar.com...www.wesmar.com

Special Tools and Filter Kit

WESMAR provides the following special tools and a replacement filter element to be used during initial start up and system calibration. Below is a list of each of the supplied tools, the WESMAR Part Number, quantity supplied and a brief description of where the tool is used.



3/64" Allen Wrench
Part #99.03364.0

3/32" Allen Wrench
Part # 990332.0

3/16" Allen Wrench
Part # 99.00016.0

Tweaker Tool
Part # 9908000.0

Filter Element
Part #: 56.12100.0

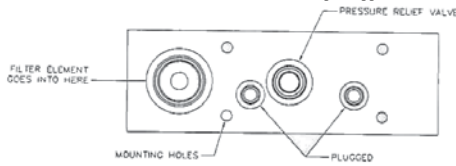
For potentiometer gear set screw. The potentiometer gear comes pre-calibrated so adjustment should not be required.

For rollfin shaft set screws. Use to adjust alignment of the shaft gear. Lines on each gear indicate proper alignment.

For manifold pressure relief valve. Use to adjust the hydraulic system pressure. Consult your manual for safe pressure settings.

For the console trim potentiometers. Use as directed by the manual to properly adjust and calibrate the roll fin console.

A replacement element for the manifold's high pressure filter. Replace the filter element after the first hour of operation after initial startup of the system. Refer to sketch below for location of high pressure filter. Find it located under a large hex cap on the manifold's top or upper face.



Upper Face of Manifold

Optional Stabilizer Equipment

Reverse Lockout

P/N 64.09223.0



Remote Console Engage/Standby Station

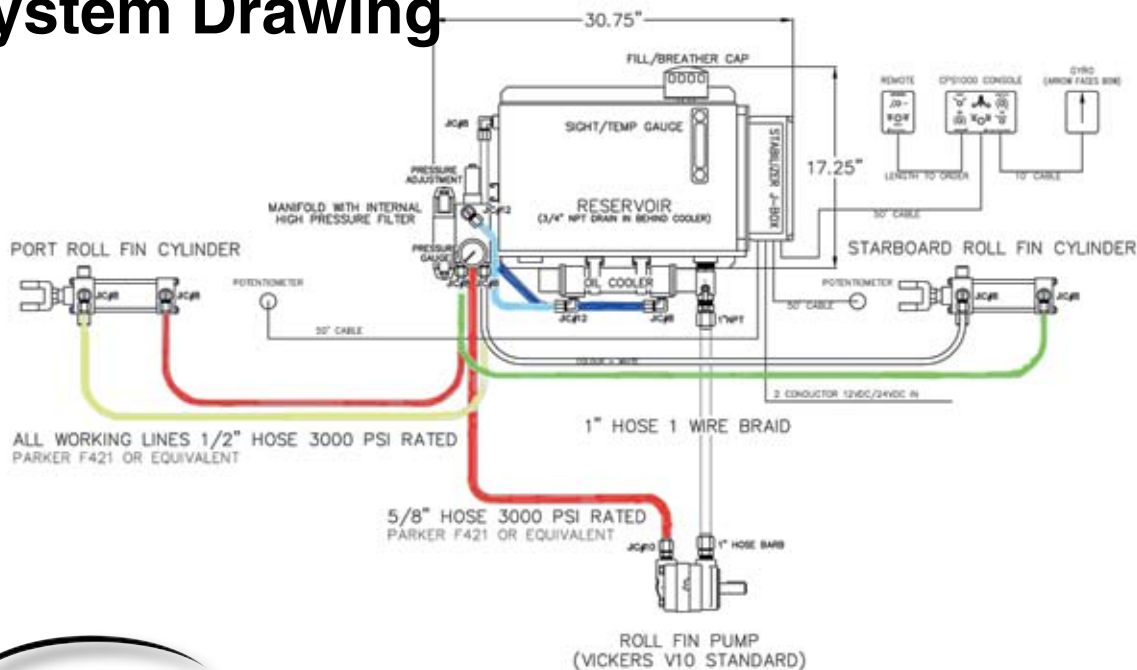
P/N 64.100077.0



Mahogany Hull Block

18" x 18" x 5"
P/N 99.00020.0

System Drawing



PRODUCT WARRANTY

Commercial warranty and consumer limited warranty, disclaimer, and remedies. Seller warrants title, materials, and workmanship on equipment, except components manufactured by others for which seller assigns, as permitted, the original manufacturer's warranty. Seller's warranty period for all applicable express or implied warranties shall be ninety (90) days after installation or one (1) year after date of shipment to the original buyer, whichever time period expires first. Nonconforming equipment reported to seller during the applicable warranty period and returned to seller at buyer's expense and risk shall be repaired, or replaced at seller's option. If seller is unable or unwilling to repair or replace such reported and returned nonconforming equipment within a reasonable time, then buyer shall be entitled to a refund of the purchase price of the equipment as buyer's sole remedy. This paragraph sets forth buyer's exclusive remedies for nonconforming goods. This commercial warranty and consumer limited warranty is in lieu of all other warranties, express or implied, including design, course of dealing, merchantability, and fitness for a particular purpose. NOTE: LIMITATION OF SELLER'S COMMERCIAL AND CONSUMER LIABILITY. Seller shall not be liable on any claim for loss of use, revenue, or profit, for injury, or for any other incidental or consequential damages, regardless of the basis for buyer's claim(s), including, but not limited to, the law of contract, warranty, or tort. In no case shall seller's liability on any claim(s) exceed the amount paid to seller for the purchased goods.