

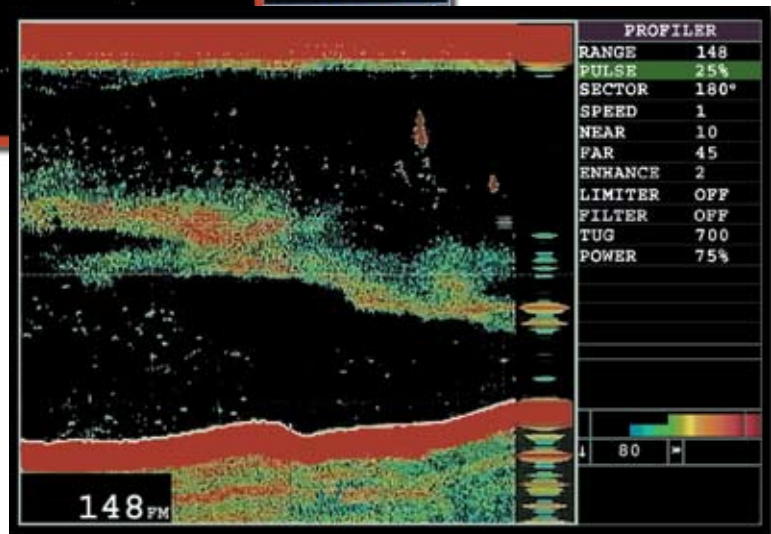


# HD850 Series

New Precision Searchlight Sonar with Electronic Stabilization



Searchlight Sonar with active transducer stabilization!



Features the World has been Waiting for:  
Active Stabilization, Trawlscan, and more





## WESMAR's HD850 tackles the tough challenge of seeing fish close to the bottom while featuring active stabilization, narrow beam, and more...

The HD850 is the combination of new technology and quality engineering, featuring a number of important new elements.

- Active Stabilization

The stabilization gyro is in the soundome, so when the transducer scans, the gyro scans with it. Corrections are made in the exact direction the transducer is looking, keeping the sound beam on target. The WESMAR gyro runs 100% of the time. Other units have the sensor mounted to the bulkhead, delaying response time.

- Digital Link

Long, interconnect cable runs are always subject to noise and low sonar performance. WESMAR's new digital link between the sonar electronics (near the transducer) and the computer console in the wheelhouse operate noise free for maximum sonar performance.

- Searchlight Advantage

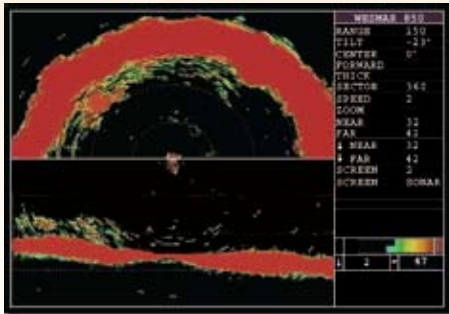
No Sonar has better directivity than WESMAR engineered transducers. One hundred percent of the transducer surface area points in the direction of the fish in a sharp narrow beam. Dispersed fish and hard to mark fish are detected clutter-free. An Omni sonar, with a diffused beam, allows dispersed fish and fish near the bottom to go undetected.

The F/V *American Triumph* was one of the first vessels to install the HD850 Sonar System.



# Split Screen Mode

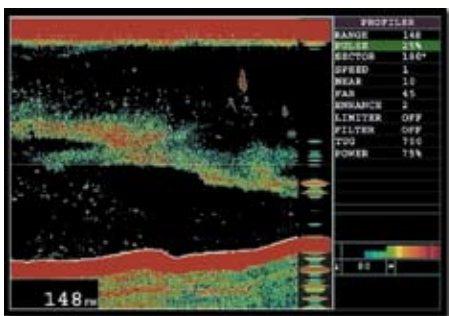
More Information; Greater Clarity



- Split Screen Mode

Scan forward and then across the bottom. This is ideal for mid-water and bottom trawling. Head for the fish out in front and watch as they pass to either side of the vessel. Sounders only mark under the vessel and not to the sides, missing the target.

*Split Screen, top part forward scan, lower part profile, each with separate adjustments.*



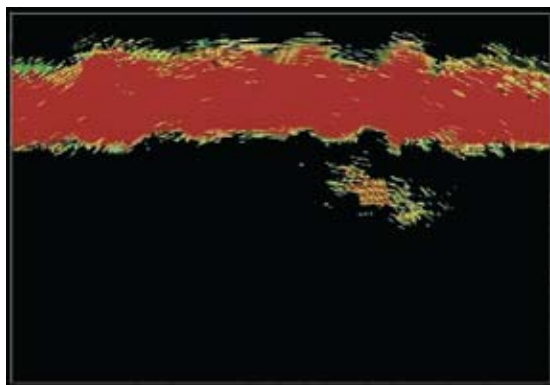
- Stabilized Down Sounder

When the seas get rough, the best of sounders lose track of the bottom. The HD850 in the down sounder mode, with active stabilization on, will keep the sound beam where it should be: straight down. Lower the hoist below the bubble layer for a ground picture unmatched by other sounders. Fishing in the ice? Raise the transducer inside the sea chest, and the WESMAR keeps running.

*Full Screen Sounder for rough days when conventional sounders lose picture, the sonar transducer can be locked down for a reliable stabilized sounder picture with zoom. White line is available to distinguish fish from bottom.*

# The New Linear Scan Mode

Ideal for finding and tracking fish close to the bottom



- Linear Scan Mode presents a forward view of the bottom not available on other sonars. With this comes better differentiation between the bottom and fish close to the bottom. In linear sonar presentation the sweep starts at the left and moves to the right. Range is measured vertically, bearing along the horizontal. When

scanning for ground fish, the bottom will mark horizontally across the screen and not a half circle.

- In the image above you see the advantage of the linear scan, which expands the bottom for optimum detail, displaying a small fish school off the bottom.

# HD850 Series

## Specifications

### Sonar Features

#### HD850/60-10

Frequency kHz	60 kHz
Hoist Height	58.3 inches
Minimum Seachest	39.37 inches
Retraction Time	5 seconds
Soundbeam	7.6°V 9.8°H

#### Notes:

1. Pulswidth is selectable or automatically adjusted with changes in the range scales.

#### HD850/110-10

Frequency kHz	110 kHz
Hoist Height	58.3 inches
Minimum Seachest	39.37 inches
Retraction Time	5 seconds
Soundbeam	4.2°V 5.2°H

2. Power boost is provided in all models.

3. The advanced profiling features are provided in all models.

#### HD850/110-8

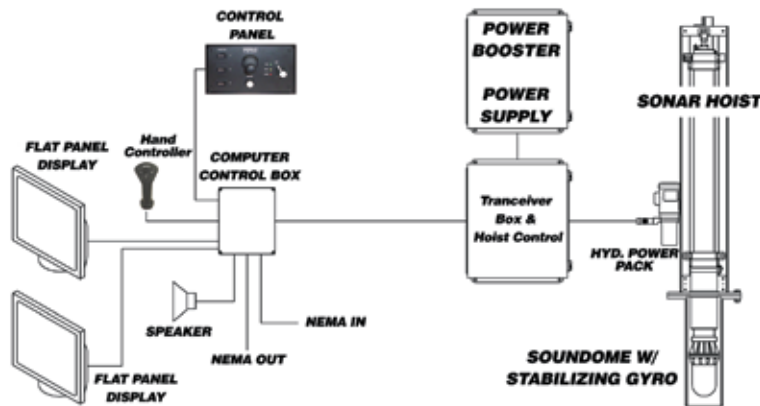
Frequency kHz	110 kHz
Hoist Height	33 inches
Minimum Seachest	25.5 inches
Retraction Time	3 seconds
Soundbeam	4.6°V 7.0°H

4. Heavy duty hull package, increased transmit power and soundome that has active stabilization are provided in all models.

#### HD850/160-8

Frequency kHz	160 kHz
Hoist Height	33 inches
Minimum Seachest	25.5 inches
Retraction Time	3 seconds
Soundbeam	6.5°V 6.5°H

### HD850 Block Diagram



System Components include:  
dash mounted console and hand held controller.



Western Marine Electronics

12140 NE 200th Street, Woodinville, WA 98072

Tel: (425) 481-2296 Fax: (425) 486-0909

www.wesmar.com dsoderberg@wesmar.com

#### PRODUCT WARRANTY

Commercial warranty and consumer limited warranty, disclaimer, and remedies. Seller warrants title, materials, and workmanship on equipment, except components manufactured by others for which seller assigns, as permitted, the original manufacturer's warranty. Seller's warranty period for all applicable express or implied warranties shall be ninety (90) days after installation or one (1) year after date of shipment to the original buyer, whichever time period expires first. Nonconforming equipment reported to seller during the applicable warranty period and returned to seller at buyer's expense and risk shall be repaired, or replaced at seller's option. If seller is unable or unwilling to repair or replace such reported and returned nonconforming equipment within a reasonable time, then buyer shall be entitled to a refund of the purchase price of the equipment as buyer's sole remedy. This paragraph sets forth buyer's exclusive remedies for nonconforming goods. This commercial warranty and consumer limited warranty is in lieu of all other warranties, express or implied, including design, course of dealing, merchantability, and fitness for a particular purpose.

NOTE: LIMITATION OF SELLER'S COMMERCIAL AND CONSUMER LIABILITY. Seller shall not be liable on any claim for loss of use, revenue, or profit, for injury, or for any other incidental or consequential damages, regardless of the basis for buyer's claim(s), including, but not limited to, the law of contract, warranty, or tort. In no case shall seller's liability on any claim(s) exceed the amount paid to seller for the purchased goods.