



EV850 Navigation and Security Sonar 110-8 with FT-8 Hydraulic Hoist Technical Specifications

WESMAR's new EV850 Navigation and Security Sonar addresses the navigation and safety of cruise ships, expedition vessels and large yachts at anchor or underway. For more information on the WESMAR EV850, visit www.wesmar.com

Technical Specifications (*see diagram on back*)

COMPUTER CONTROL UNIT (A):

- Operates on 12 or 24 VDC
- High resolution output, 640x480 pixels, 8 or 16 colors depending on sonar echo strength
- Flexible display of sonar imaging: full screen sonar, full screen bottom profile, split screen sonar and profile. Two screen panels can be supported.
- NMEA support for integration with GPS
- Simplified sonar operation via Joystick and hand controller
- Audio output to a speaker based on echo strength

POWER BOOST (B) and TRANSMIT/RECEIVE CONTROL UNITS (C)

- Operates on 110 or 220 VAC, 2.0 kW RMS output
- 65' interconnect cable between T/R electronics and computer control unit in wheelhouse
- All-digital communications eliminates interference from vessel electrical noise and enables higher gains

FT-8 HYDRAULIC HOIST UNIT (D):

- Electric motor, 110 or 220 VAC
- Height – 33" (838mm), Travel – 18" (457mm)
- Retraction time – 3 seconds
- Soundome tube: 4" (102mm) O.D. Stainless
- Other hoists available from WESMAR depending on installation

110kHz 8" URETHANE SOUNDOME UNIT (E):

- Active gyro-controlled electronic beam stabilization capable of correcting 34 degrees of movement per second
- 220 degrees of tilt in 1 degree steps. 360 degrees of scanning
- 1000m (3280 feet) maximum range
- Large array transducer generates 5.2 x 8.5 degree (VxH) sound beam for higher sensitivity

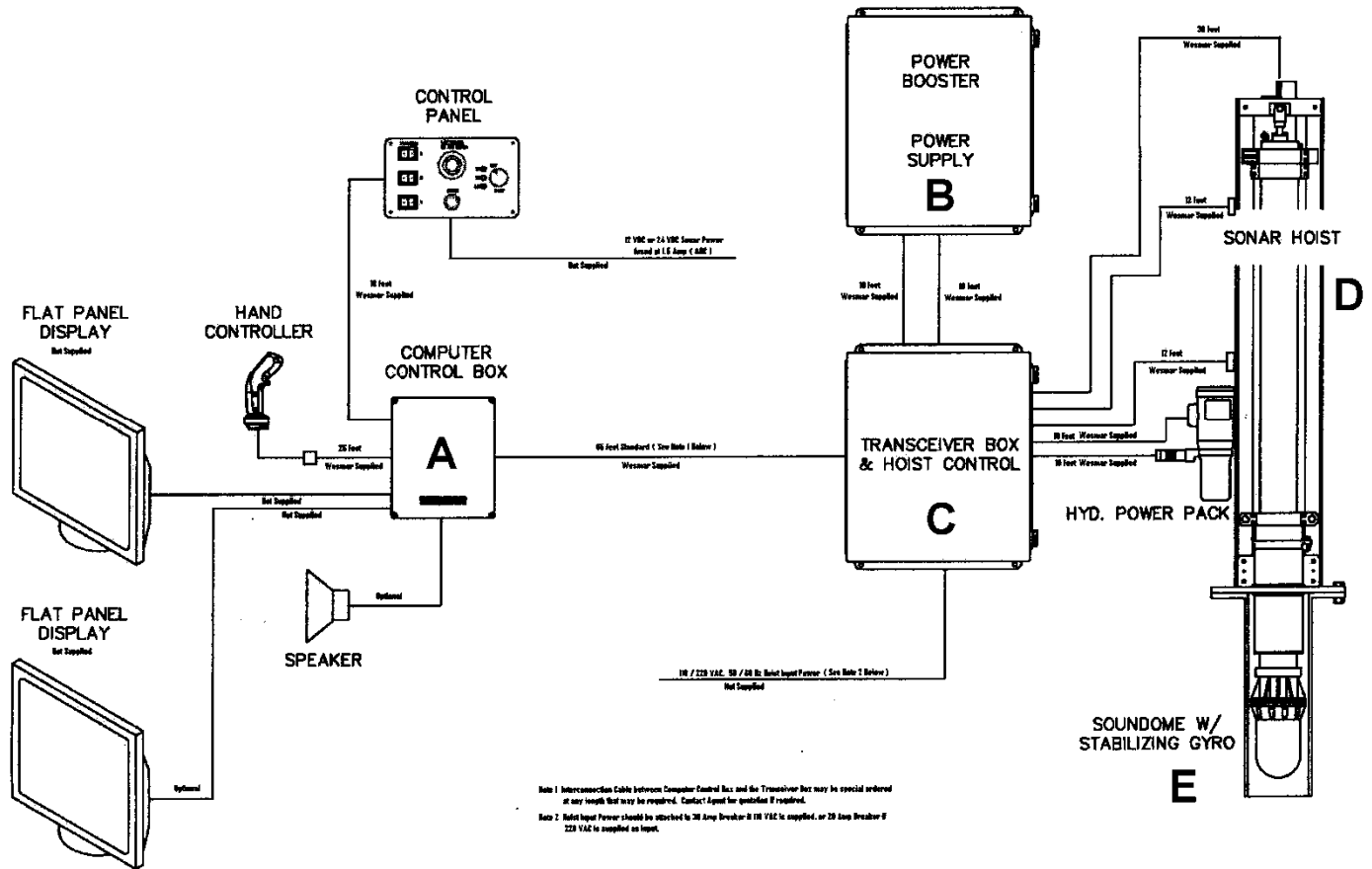
SEACHEST REQUIREMENTS (**NOTE - CUSTOMER SUPPLIED**) (F)

- Length – 1m standard. Call for other lengths
- For steel pipe – 8" diameter, Schedule 80, standard 8" flange.

EV850 Model 110-8 with FT-8 Hydraulic Hoist



EV850 Block Diagram



F Notes for Seachest Fabrication:

