

"This WESMAR Thruster is Amazing!"

John Robichaud of Lamèque, New Brunswick, Canada, calls the WESMAR thruster "amazing".

John fishes with Geatan Chiasson, owner of the 45-foot lobster boat, CM MAHEE LOU and WESMAR dealer, Atelier F.R. Robichaud installed a bow thruster on his boat.

"We fish lobster in strong winds off Pigeon Hill," said John. "The boat has a power block in the front so when the heavy winds push us away we use the thruster to stay right in the point.

We also used it this year for halibut. The nice thing about the WESMAR thruster for halibut is that you don't have to use the transmission to maneuver when trawling. It's a short fishery (12 hours this year) so there was a big rush and the WESMAR Thruster made it much easier."



Western Marine Electronics
14120 NE 200th Street, Box 7201
Woodinville, WA 98072 USA
(425) 481-2296
www.wesmar.com

WESMAR Dealer Report.

"The WESMAR is Powerful! It moved four lobster boats at once."

"We put the WESMAR bow thruster to the test," said Francis Robichaud, owner of Atelier F.R. Robichaud, WESMAR's New Brunswick, Canada, dealer. His company has installed



WESMAR's V2-10 inch hydraulic dual prop all stainless steel bow thruster on 8 lobster boats in New Brunswick in just the past year. One was on the CM MAHEE LOU.

"During the sea trial on that boat we tested the bow thruster's power by tying three lobster boats to the MAHEE LOU and then we moved all four boats 10 feet in 15-20 seconds!

"When the troll catches in the sea bottom, sometimes the only way to save the troll is to make a quick 180 degree turn. You cannot do that unless you have a bow thruster," said Robichaud, owner of Atelier F.R. marine service company in Savoie Landing. "So we tested maneuverability by doing a 180-degree turn with the MAHEE LOU and it took just 30-40 seconds."

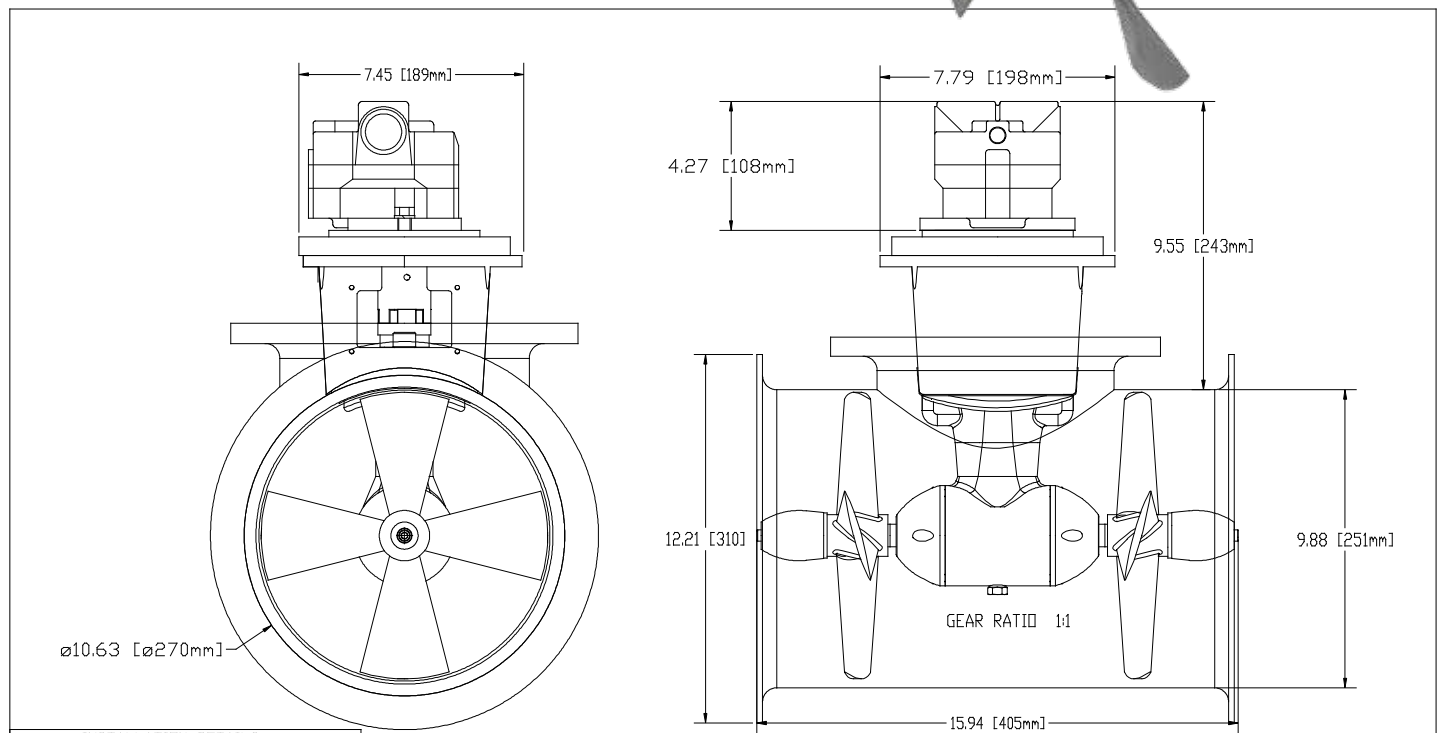
Robichaud estimates there are 500 Lobster Boats fishing the 60-mile area around Lemèque. "I'm expanding my operation by 3000 square feet to accommodate service and installation to these boats. We will also be building new fiberglass Lobster boats as well."



Francis Robichaud
Atelier F.R. Robichaud LTEE
39, rue Belle Fleurs
Savoie Landing, NB E8S 3A5
Tel: (506) 336-1502
francis@atelierfr.ca

Tough and Rugged! The only All Stainless Steel Bow Thruster in the Industry!

WESMAR's V2-10-inch hydraulic dual prop counter rotating stainless steel bow thruster has the power and the strength the New Brunswick Lobster Boats Need!



Francis Robichaud
Atelier F.R. Robichaud LTEE

39, rue Belle Fleurs
Savoie Landing, NB E8S 3A5
Tel: (506) 336-1502
francis@atelierfr.ca